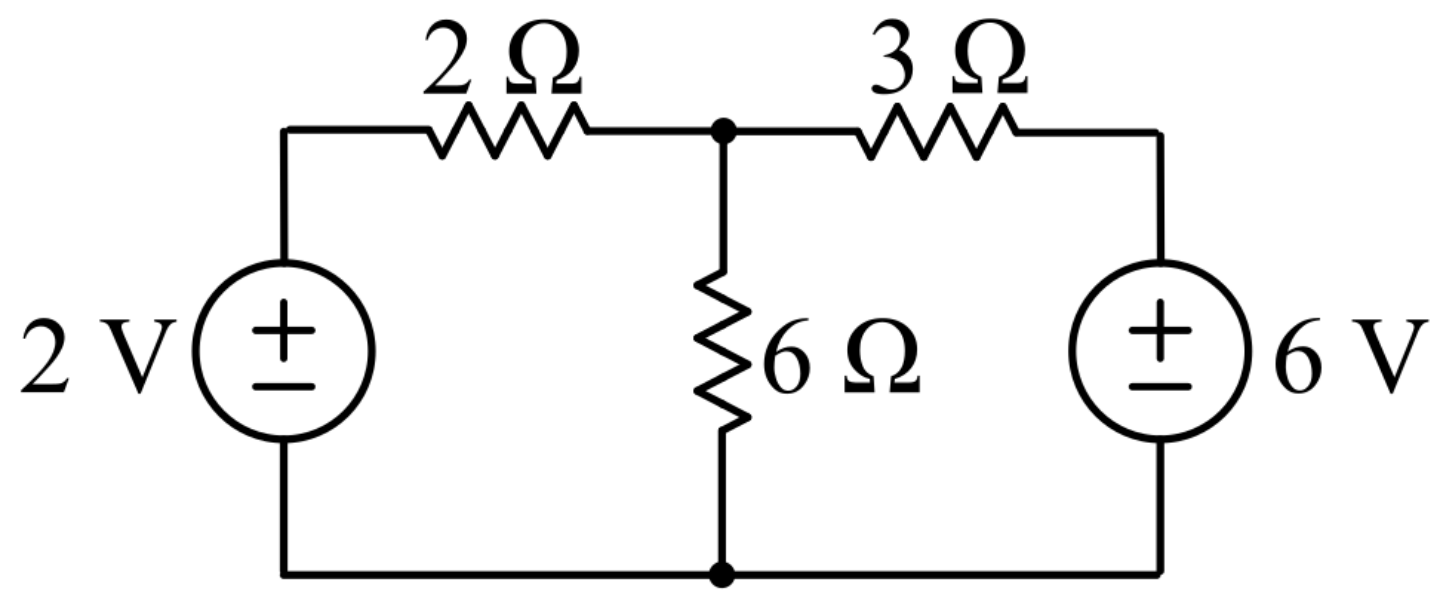


6.200 Circuits and Electronics

Week 0 Lecture B:
Nodal Analysis and Supernodes



Node Method

1. Identify the nodes and label one as the reference node.
 - Good Choice: Node with the most independent voltage sources.
2. Label the remaining nodes with names.
3. Pick and draw current directions.
4. Replace trivial values.
5. Write KCL for each node using the node potentials.
6. Solve equations to find all node potentials.
7. Find remaining currents using node potentials.

