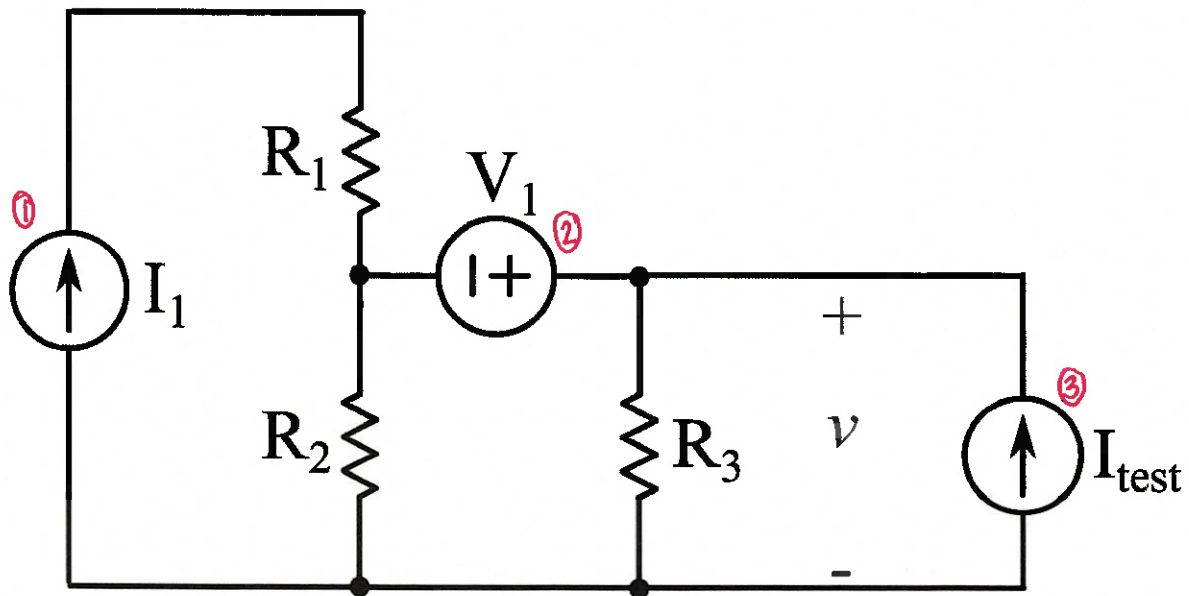
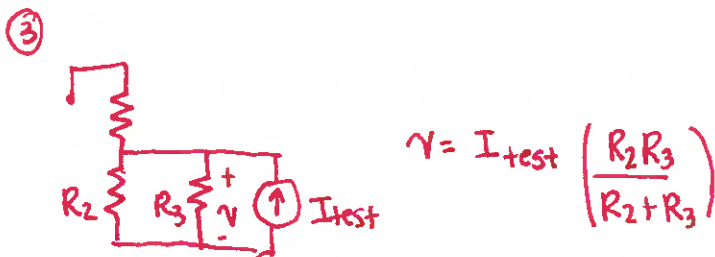
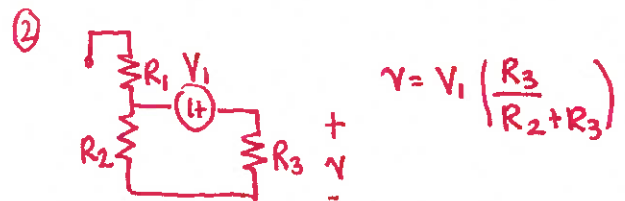
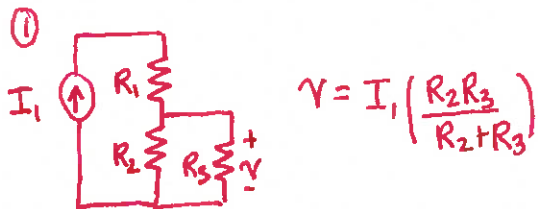


Name: SOLUTIONS

Kerberos Username: _____



via superposition:



$$v = ① + ② + ③ = V_1 \left(\frac{R_3}{R_2 + R_3} \right) + I_1 \left(\frac{R_2 R_3}{R_2 + R_3} \right) + I_{\text{test}} \left(\frac{R_2 R_3}{R_2 + R_3} \right)$$